

**S2C-H01** QTY 1  
**Integrierter Hilfskontakt**  
**Integrated auxiliary contact**

2CDS200970R0031  
 FR: A906510  
 IT: A065108  
 NO: 1634387  
 SE: E2100167  
 US: S2C-H01



**CE**  
 Made in Bulgaria  
 保加利亚制造

DE: Integrierter Hilfskontakt 1 Öffner  
 EN: Integrated auxiliary contact 1NC  
 FR: Contact auxiliaire simple 1NF  
 IT: Contatto ausiliario sottoposto 1NC  
 ES: Contacto auxiliar integrado 1NC  
 CN: 辅助触点 GB/T 14048.5  
 RU: вспомогательный контакт нижний

ABB Limited  
 Tower Court  
 Coventry  
 CV6 5NX, UK



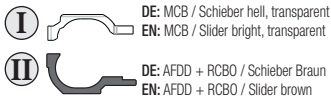
**ABB AG – STOTZ-KONTAKT**

Eppelheimer Str. 82  
 DE-69123 Heidelberg  
 go.abb/contact

GHS2007023P0009

MCB:	Switch-Disconnector:
S 300 P	SD 200
S 200 ≤ 63 A	
S 200 M	
S 200 MT, S 200 MTR	AFDD: RCBO:
S 200 M UC	DS-ARC1 DS 201
0.5 Nm	
0.75 ... 2.5 mm <sup>2</sup>	
6 mm	
AC14	2 A/230 V
DC12/	1 A/50 V
DC13	2 A/30 V

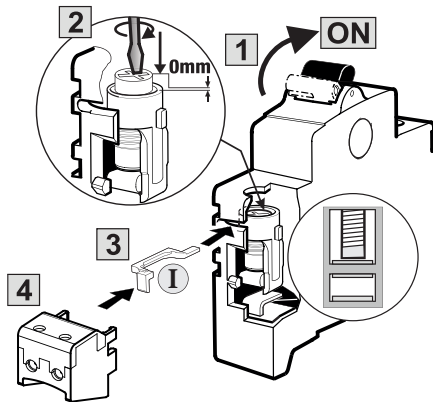
MCB: Miniature Circuit Breaker  
 AFDD: Arc Fault Detection Device



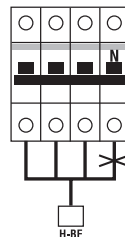
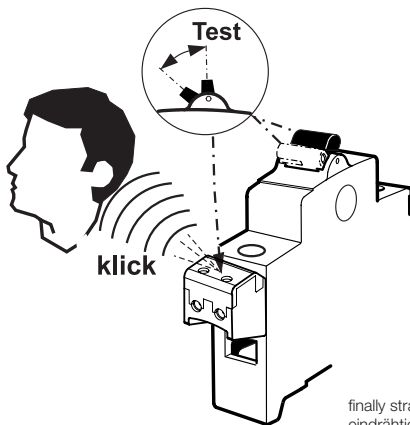
EN: Warning! Installation by person with electro-technical expertise only.  
 DE: Warnung! Installation nur durch elektrotechnische Fachkraft.  
 IT: Avvertenza! Fare installare solo da un elett ricista qualificato.  
 FR: Avertissement! Installation uniquement par des personnes qualifiées en électro technique.  
 ES: ¡Advertencia! La instalación deberá ser realizada únicamente por electricistas especializados.

**A**

MCB / Switch Disconnector



**B**



finally stranded with a sleeve  
 eindrätig mit Aderendhülse

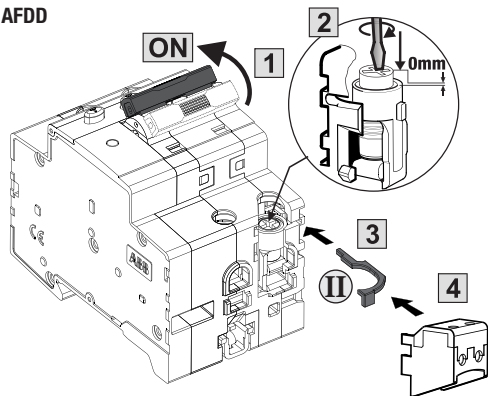
1 (2)

9AKK108466A-4991

9AKK108466A-4992

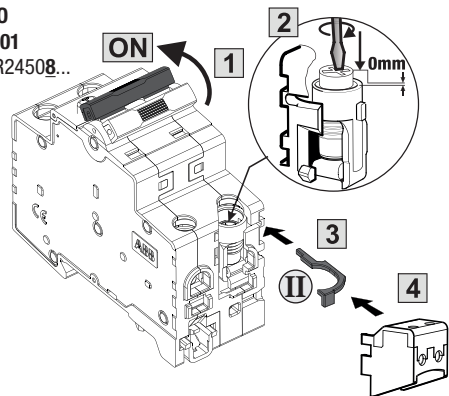
**A**

AFDD



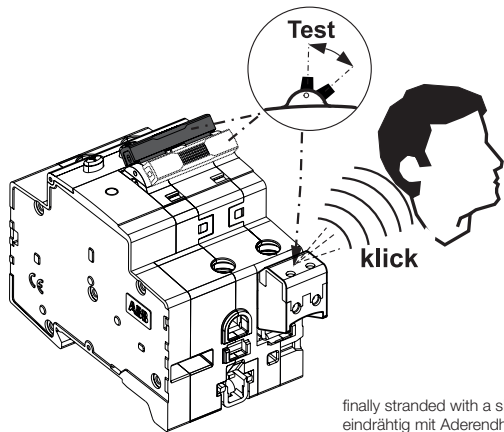
Combination AFDD + auxiliary without UL approval

9AKK108466A4994

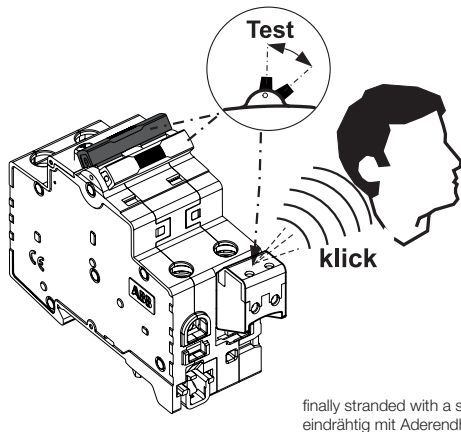
**A**RCBO  
DS 201  
2CSR24508...

Combination RCBO + auxiliary without UL approval

2CDC022005F0019

**B**finally stranded with a sleeve  
eindrutig mit Aderendhulse

9AKK108466A4995

**B**finally stranded with a sleeve  
eindrutig mit Aderendhulse

9AKK108466A4996